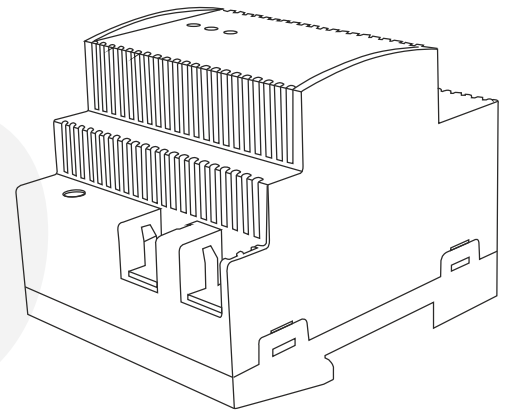


# ANALOG IO 0/10V

MODEL:

LXA - 148 - 010

**iLUXUS**  
Intelligent Luxury Building Solutions



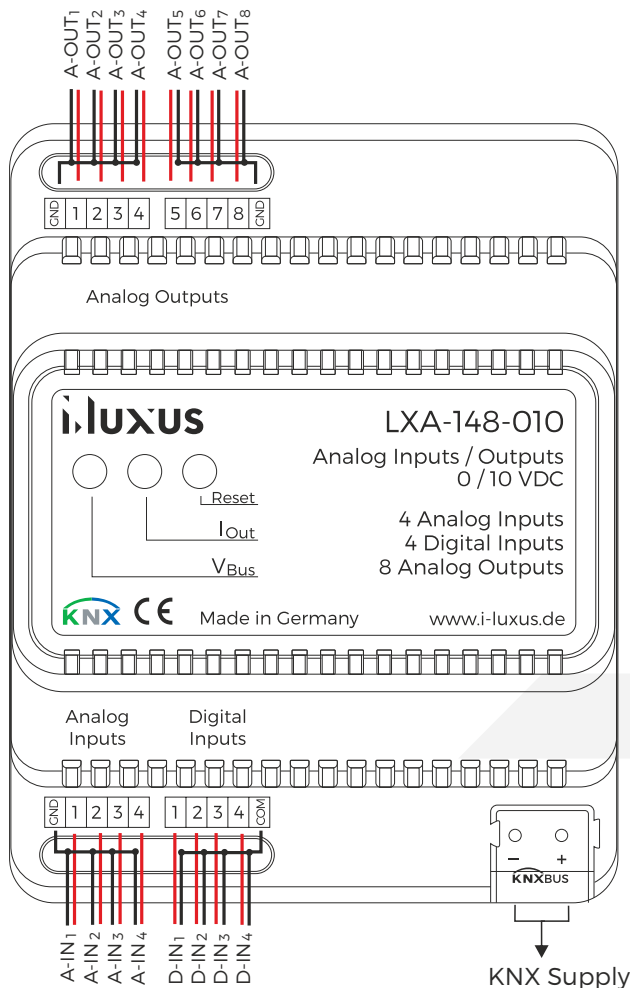
The I-Luxus 0...10V Module with 8 analog outputs can be used for 0-10V LED drivers for dimming operations or 0...10V operational valves for HVAC operations. It has 4 analog inputs, PT1000, NI1000 sensors and 0...10V voltage, 0...20 mA current via 500 Ohm shunt connections are supported. Included 4 digital inputs, can be connected as dry contact.

## PRODUCT CHARACTERISTICS

- ▶ 8 Analog output channels DC 0...10V
- ▶ 4 Analog input channels
- ▶ 4 Digital input channels
- ▶ Dimming operations
- ▶ HVAC operations
- ▶ Configurable with ETS
- ▶ Programming LED and buttons

- ▶ KNX Bus LED
- ▶ Sensor connections: PT1000 (Brightness, Temperature, Rain, Humidity, Wind, etc.)
- ▶ Feedback operations (only in bus operation)
- ▶ Easy installation to 35mm DIN Rail
- ▶ Production in Germany, certified according to ISO 9001 and KNX
- ▶ 2 years warranty

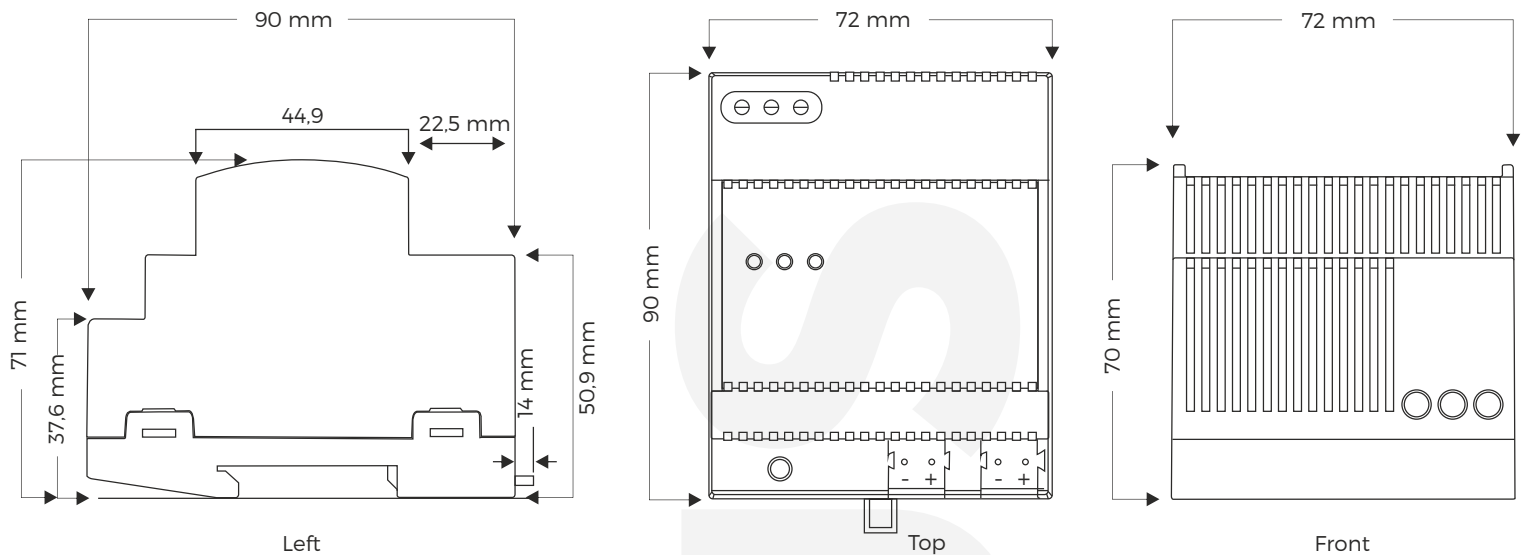
## CONNECTION DIAGRAM



## SAFETY INSTRUCTIONS

- ▶ Electrical equipment must be installed and suited only by qualified electricians.
- ▶ Observe the current accident prevention regulations.
- ▶ Failure to observe any of the installation instructions may cause damage to the device and result in fire and other hazards.
- ▶ Before working on the device or before replacing any connected loads, disconnect the supply voltage (by cutting out the circuit breaker) to avoid the risk of an electric shock.
- ▶ Make sure during the installation that there is always sufficient insulation between the mains voltage and the bus.
- ▶ Do not open the device and do not use it outside the scope of the technical specifications.

## SCALE DRAWINGS



## TECHNICAL DATA

Type of protection	IP 20	EN 60529
Safety class	II	EN 60664
Power Supply	Voltage	KNX Bus System
	Current	10 mA
With in Space Unit Mounting	4 Modules (1 Module = 18 mm)	
Output	35mm DIN Rail	EN 60715
	Type	Analog
	Number	8
	Voltage	DC 0-10V
	Output impedance	35 Ohm
	Current source	Max. 1mA
Output Connection	Conductor cross section	0,05-1 mm <sup>2</sup> solid core 0,05-1 mm <sup>2</sup> solid stranded
	Max. Torque	0,2 Nm
Analog Input	KNX Bus connection terminal	0,8 mm <sup>2</sup> Ø, solid core
	Number	4
	Voltage	Pt1000, NI1000, DC 0-10 V
	Current	0-20 mA via 500 Ohm shunt
Digital Input	Number	4 binary inputs
	State	Dry contact
	Scanning voltage	DC 5V pulsed
	Current	1mA
Input Connection	Input Connection	0,05-1 mm <sup>2</sup> solid core 0,05-1 mm <sup>2</sup> solid stranded
Operating Element	3 Pieces	Programming Button Programming LED KNX Status LED
Temperature Range	Operation	(0...+45)
	Storage	(-20...+70)
Humidity	Maximum air humidity	%85 no moisture condensation
Flammability	Non-flammable product	
Dimensions	L:90 W:70 H:70 mm	
Weight		
Certification	KNX Certified	