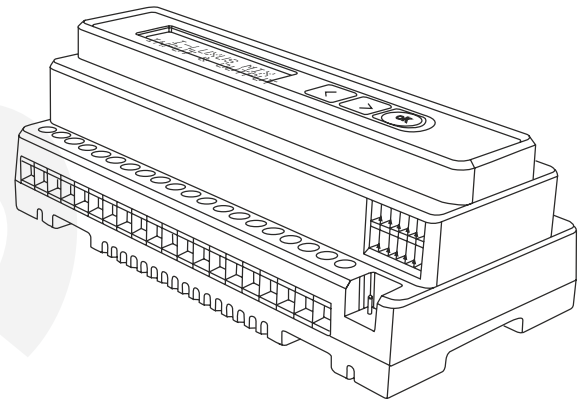


# MIX ACTUATOR

MODELS:

LXA - 112 - 16A

LXA - 120 - 16A



The I-Luxus 12/20 Gang KNX Actuator with 12 digital dry contact inputs with LED display can be used switching, shutter/blind operations. HVAC functionality, fan coil control are supported. Each channel can be have load till 16A C-Characteristic and AC 230V.

## PRODUCT CHARACTERISTICS

- ▶ 12 Input channels
- ▶ 12 Output channels for LXA - 112 - 16A
- ▶ 20 Output channels for LXA - 120 - 16A
- ▶ Lighting functions
- ▶ Shutter / Blind functions (AC 230V and DC 24V motor control)
- ▶ Wind / Rain / Frost Alarm functions for Blind / Shutter outputs
- ▶ Fan coil functions for 2 pipes and 4 pipes systems
- ▶ Data type converter operations (1Bit / 2Bit / 1Byte / 2Byte)
- ▶ Logic function
- ▶ Operation as NO or NC contacts per ETS configurable
- ▶ Switching feedback (only in bus operation)
- ▶ Switch position display
- ▶ Outputs has bistable relay which allow keep last state.
- ▶ Timing functions: switch-on delay and off delay and staircase, lighting function
- ▶ Integration into the light and blind / shutter scenes
- ▶ Operating hours counter function, configurable via bus
- ▶ Production in Germany, certified according to ISO 9001 and KNX
- ▶ 2 years warranty

## CONNECTION DIAGRAM

### PROGRAMMING:

Press 'OK' button on the main menu. Go "PROGRAM MODE" menu with right button. Select the "PROGRAM MODE" with the "OK" button. If it is "Idle", press "OK" to pass the programming mode. Automatically quit after programming or 120

### MANUAL CONTROL:

#### Output Menu:

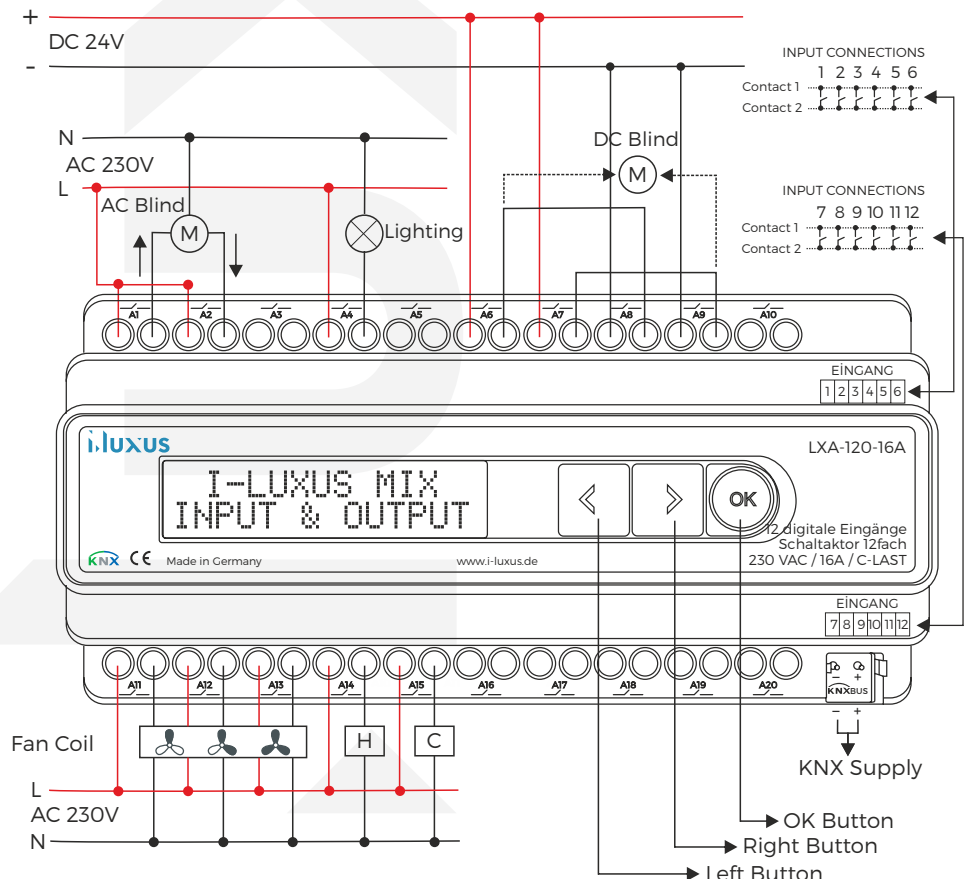
Press "OK" button on the main menu. Select the "OUTPUT MENU" with "OK" button. Set cursor position with right and left buttons to select the related "OUTPUT". Press "OK" button to change the state of the related channel.

#### Input Menu:

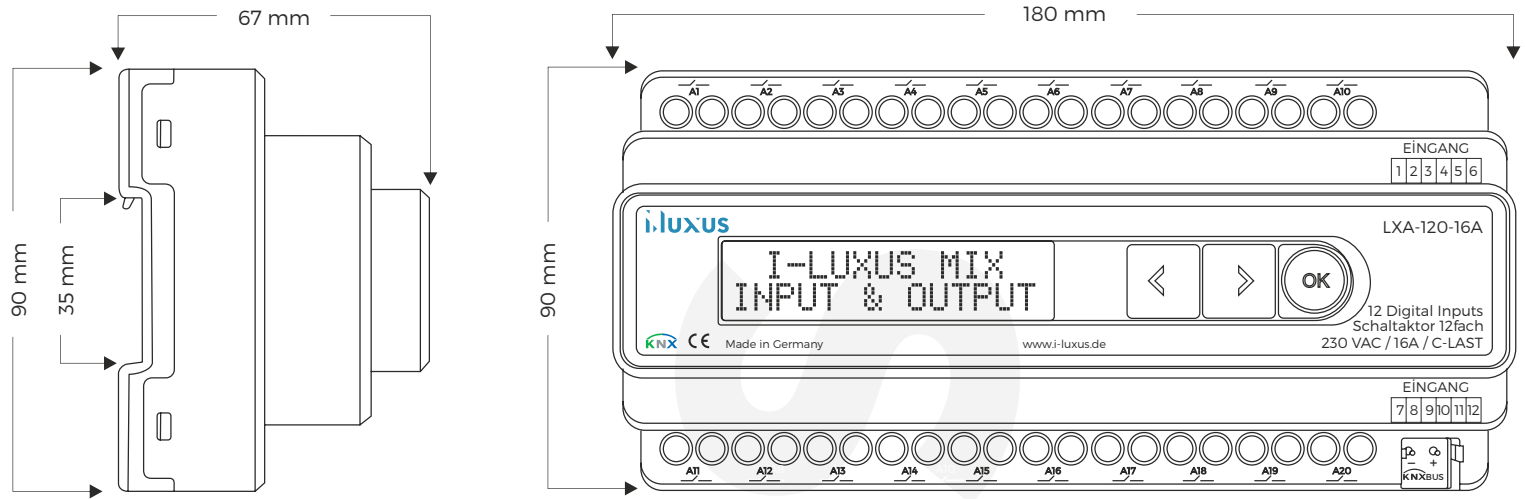
Press "OK" button on the main menu. Then the right button to go to "INPUT MENU". With pressing "OK", enter into "INPUT MENU". Input channel is closed the state of input will be shown as '1', otherwise 0.

### NOTE:

To return the main menu, press to the 'OK' button for 3 seconds. Beside this, if no button pressed for 120 seconds, LCD screen brightness decreases to 10% by individually.



## SCALE DRAWINGS



## TECHNICAL DATA

Type of protection	IP 20	EN 60529
Safety class	II	EN 60664
Models	12 Gang 20 Gang	LXA-112-16A LXA-120-16A
Product Detail	Mix Actuators With 12 Digital Inputs	
Power Supply	Voltage	KNX Bus System
	Current Consumption	<10mA
Width Inspace Unit	10 Module (1 Module = 18 mm)	
Operating Mode	KNX Bus System	
Output Connections	Conductor Cross Section	0,25 - 6 mm <sup>2</sup> single core 0,25 - 4 mm <sup>2</sup> stranded 0,25 - 2,5 mm <sup>2</sup> stranded, with ferrule without plastic sleeve 0,25 - 4 mm <sup>2</sup> stranded, with ferrule with plastic sleeve
	Max. torque	0,5 Nm
Output	KNX Bus connection terminal Number	0,8 mm <sup>2</sup> Ø, solid core 12 20
	Switching voltage	AC 230V; @50/60 Hz
	Switching capacity AC 250V	16A, 102A Inrush
	Maximum switching power	4000 VA
Output Modes	Lighting Fan coil 2 pipes Fan coil 4 pipes Shutter&Blind AC 220V Shutter&Blind DC 24V	
Input Connections	Conductor Cross Section	0,2 - 1,5 mm <sup>2</sup> solid 0,2 - 1,5 mm <sup>2</sup> flexible 0,25 - 1,5 mm <sup>2</sup> flexible, with ferrule without plastic sleeve 0,25 - 0,75 mm <sup>2</sup> flexible, with ferrule with plastic sleeve
Input	Number	12 binary inputs
	State	Dry contact
	Scanning voltage	DC 3V3 Pulsed
	Current	1 mA
	Cable length	< 50m
Input Modes	Switching Dimming Operation Blind / Shutter Operation Scene	
Rated Values	Lamps Incandescent lamp load Fluorescent lamp load Capacitive load	3680W AC 250V 16A, 102A inrush current 70uF 10A cosQ=0.9
Operating Elements	Character LCD Buttons (3 pieces)	Right button Left button OK button
Temperature range	Operation Storage	-5°C / +45°C -20°C / +70°C
Humidity	Maximum air humidity	85% no moisture condensation
Flammability	Non-flammable product	
Dimensions	L:67 x W:180 x H:90 mm	
Weight	LXA-112-16A LXA-120-16A	460 gr 578 gr
Certification	KNX Certified	