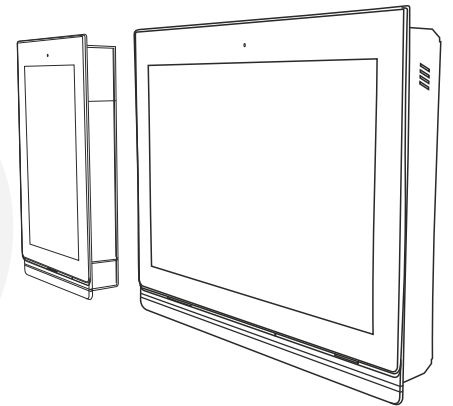


EOZ TOUCH PANEL

MODELS:
LXT - 10 - 10.1" T.P
LXT - 70 - 7" T.P

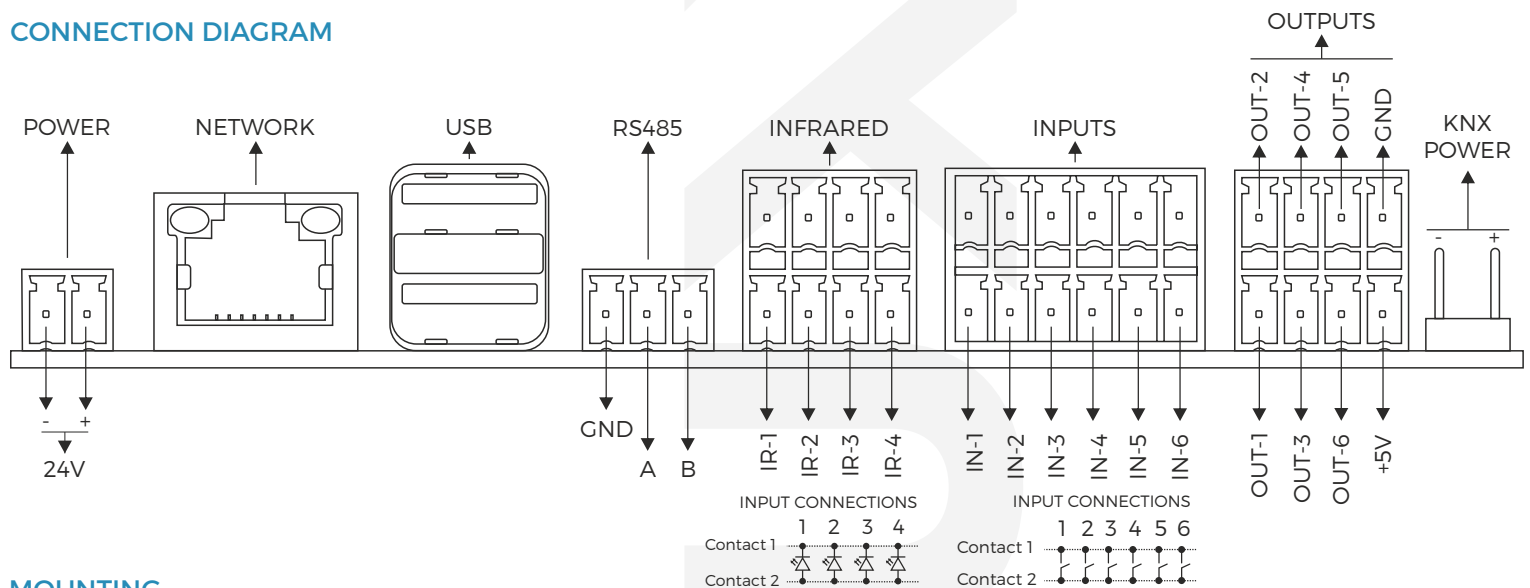


The I-Luxus capacitive touch screen EOZ with 7" and 10.1" is built for all smart devices communication with KNX. Lighting, shutter/blind and HVAC operations; intercom, concierge services, timer, scenarios, weather forecast, announcements, sensors and alarm objects are supported. EOZ panel brings conveniences to your complex world.

PRODUCT CHARACTERISTICS

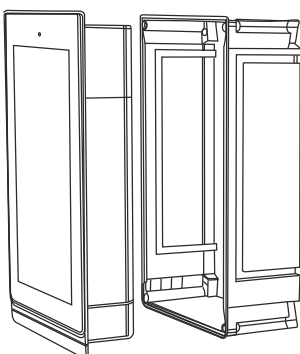
- ▶ 7" and 10.1" capacitive touch panel
- ▶ 6 dry contact inputs
- ▶ 3 / 6 DC 5V Outputs (Optional)
- ▶ 4 Infrared LED Outputs
- ▶ RS 485 Output
- ▶ 1x USB HOST/OTG
- ▶ Ethernet connection 100 Gbit/s
- ▶ Wi-Fi 150 Mbps
- ▶ Complete data saving in case of power failure
- ▶ Android6 operating system
- ▶ Built in microphone and speakers
- ▶ Lighting, air-conditioning, heating/cooling, valves, shutter/blind, intercom, concierge services, timer, scenarios, weather forecast, security sensors, alarms, IP cameras, SIP video door phone properties
- ▶ Conformity with the CE

CONNECTION DIAGRAM

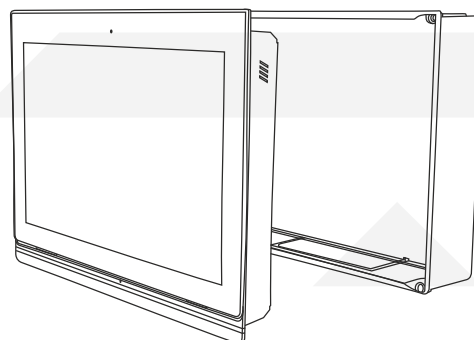


MOUNTING

7 INCH TOUCH PANEL

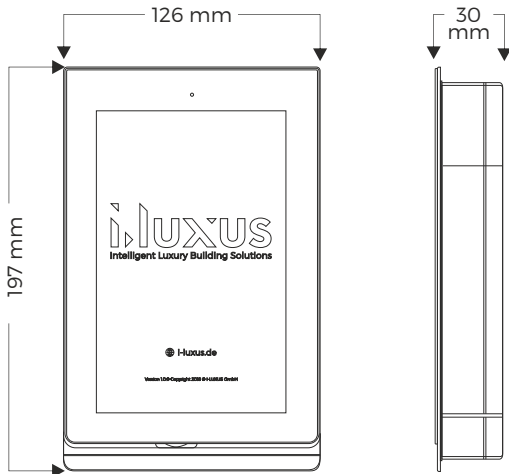


10.1 INCH TOUCH PANEL



SCALE DRAWINGS

7 INCH TOUCH PANEL



10.1 INCH TOUCH PANEL



TECHNICAL DATA

| | | |
|-------------------------|---|---|
| Type of protection | IP 20 | EN 60529 |
| Product Detail | KNX Touch Panel | |
| Processor | Quad-core Cortex™ -A53 | |
| Operating System | Android6 | |
| Memory | 8GB e.MMC | |
| Audio | 2X2W speaker | |
| | Noise cancelling microphone | |
| | Power Consumption | < 7 W |
| Display | Type | TFT |
| | Resolution | 1024X600 for 7" (LXP-370-000) 1280X800 for 10.1" (LXP-310-000) |
| Mounting Position | 7" (LXP-370-000) | Vertical |
| | 10.1" (LXP-310-000) | Horizontal |
| Output | Number | 3 or 6 (optional) |
| | Nominal switching capacity (resistive load) | 5A 277VAC |
| | Max. Switching power (resistive load) | 1.385VA |
| | Max. Switching voltage | 277VAC |
| | Max. Switching current | 5A |
| Output Connection | Conductor Cross Section | 0.2-1.5 mm ² solid 0.2-1.5 mm ² stranded |
| | Wire strip length | 4-5 mm |
| | Max. torque | 0.14 Nm |
| Input | Number | 6 |
| | State | Dry contact |
| | Scanning voltage | 5 V pulsed |
| | Current | 1 mA |
| Input Connection | Cable length | <50m |
| | Conductor Cross Section | 0.2 - 1.5 mm ² solid 0.2 - 1.5 mm ² flexible 0.25 - 1.5 mm ² flexible, with ferrule without plastic sleeve 0.25 - 0.75 mm ² flexible, with ferrule with plastic sleeve 0.8mm ² Ø, solid core |
| KNX Connection | KNX Bus connection terminal | |
| Wi-Fi Connection | 150 Mbps High Speed | |
| Infrared Connection | 4 Independent Infrared Connections | M20 Male Connector |
| Rs485 Connection | RS 485 Connector | |
| USB Connection | Standard | 2.0 |
| | Number | 2 |
| | Connection | 4-Pin Male USB Socket |
| Ethernet/PoE Connection | RJ-45 socket connection | |
| Temperature Range | Operation | (-5...+45) |
| | Storage | (-20...+70) |
| Installation | Flush Mount | |
| Humidity | Maximum air humidity | 85% no moisture condensation |
| Box | Metal bending | |
| Flammability | Non-flammable product | |
| Mounting Box Dimensions | (7") LXP-370-000 | L:50 x W:120 x H:197 mm |
| | (10.1") LXP-310-000 | L:50 x W:245 x H:183 mm |
| Weight | (7") LXP-370-000 | |
| | (10.1") LXP-310-000 | |
| Certification | CE Certified | |